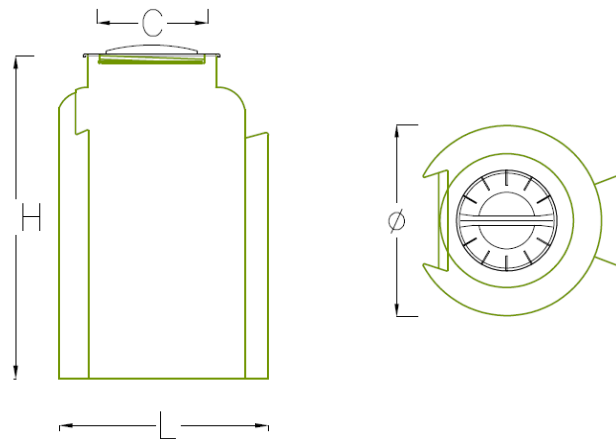


## ABOVEGROUND WATER TANK ECODEPUR<sup>®</sup> RAV-500

### TECHNICAL INFORMATION

Aboveground Water Tanks **ECODEPUR<sup>®</sup> RAV-500** are intended for storing water for human consumption, urban, industrial and agricultural uses.

- Mark: **ECODEPUR<sup>®</sup>**
- Type: RAV-500;
- Manufactured in additive polyethylene anti-UV, by rotomoulding system, which confer elevated mechanical resistance and corrosion protection;
- Fully watertight;
- Polyethylene Cover.



TYPE	VOLUME TOTAL (l)	Ø (mm)	L (mm)	H (mm)	C (mm)	WEIGHT (kg)
RAV-500	500	700	730	1.255	400	32

Rev.0\_23.07.24 | The pictures and dimensions can be changed without notice. The dimensions indicated have a tolerance of  $\pm 2\%$ .