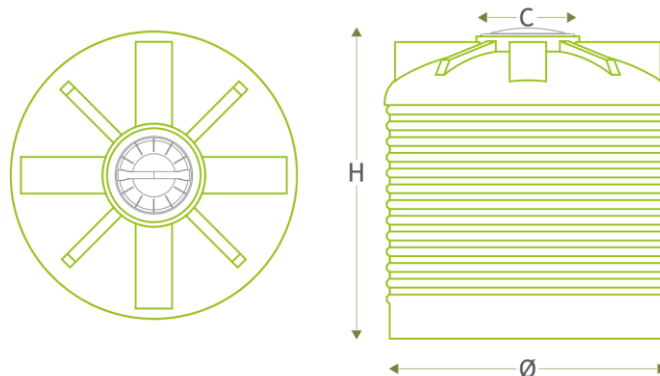


## ABOVEGROUND WATER TANK ECODEPUR<sup>®</sup> RAV-2.000

### TECHNICAL INFORMATION

Aboveground Water Tanks **ECODEPUR<sup>®</sup> RAV-2.000** are intended for storing water for human consumption, urban, industrial and agricultural uses.

- Mark: **ECODEPUR<sup>®</sup>**
- Type: RAV-2.000;
- Manufactured in additive polyethylene anti-UV, by rotomoulding system, which confer elevated mechanical resistance and corrosion protection;
- Fully watertight;
- Polyethylene Cover.



| TYPE      | VOLUME TOTAL (l) | Ø (mm) | H (mm) | C (mm) | WEIGHT (kg) |
|-----------|------------------|--------|--------|--------|-------------|
| RAV-2.000 | 2.000            | 1.530  | 1.655  | 400    | 60          |

Rev.4\_23.07.24 | The pictures and dimensions can be changed without notice. The dimensions indicated have a tolerance of  $\pm 2\%$ .