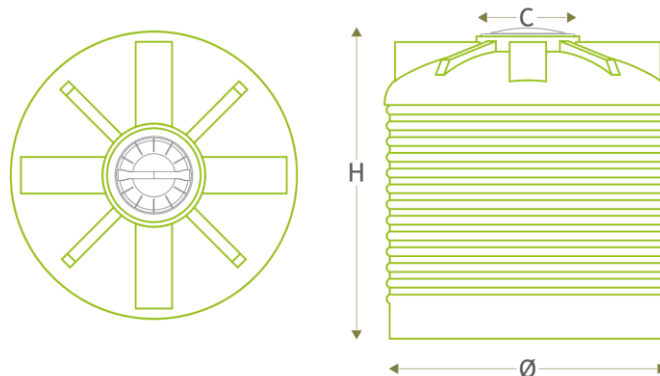


## ABOVEGROUND WATER TANK ECODEPUR<sup>®</sup> RAV-4.000

### TECHNICAL INFORMATION

Aboveground Water Tanks **ECODEPUR<sup>®</sup> RAV-4.000** are intended for storing water for human consumption, urban, industrial and agricultural uses.

- Mark: **ECODEPUR<sup>®</sup>**
- Type: RAV-4.000;
- Manufactured in additive polyethylene anti-UV, by rotomoulding system, which confer elevated mechanical resistance and corrosion protection;
- Fully watertight;
- Polyethylene Cover.



TYPE	VOLUME TOTAL (l)	Ø (mm)	H (mm)	C (mm)	WEIGHT (kg)
RAV-4.000	4.000	1.890	1.940	400	120

Rev.4\_23.07.24 | The pictures and dimensions can be changed without notice. The dimensions indicated have a tolerance of  $\pm 2\%$ .